



greenville PLANTERS
featuring
Jay Scotts

Luxury Fiberglass Planters



Greenville Planters and The Jay Scotts Collection

Luxury Fiberglass Planters

The hallmarks of the success of the Jay Scotts brand are the quality of its planters and the professionalism of the company and its authorized Canadian distributor, Greenville Planters. Customer satisfaction is the top priority of Greenville Planters.

Jay Scotts planters are made by skilled craftsmen and women using the highest quality materials in a state-of-the-art facility delivering cutting-edge styles, designs, shapes, and finishes. Every planter is meticulously inspected during each stage of production. Once a planter has met the strict quality control standards, they are carefully wrapped and packaged to ensure a safe arrival.

Greenville Planters is committed to excellence by offering the highest quality planters at exceptional prices that deliver value to its customers so that, in turn, they can add exceptional value to their clients. Jay Scotts planters are not only beautiful and unique, but they are also made to last and maintain their beauty for years to come.

The team at Greenville Planters looks forward to working with you on your next project.



Greenville Planters | Corporate Office
1295 Kamato Road | Mississauga | ON L4W 2M2 | info@greenvilledesigns.com
T: 905-361-1368 | greenvilledesigns.com

A row of blue planters with green bushes in front of a brick building. The planters are arranged in a line on a paved surface. In the background, there is a brick wall with windows and a black metal fence. A large blue and white striped object is visible on the right side of the image.

Content

- 03 About Jay Scotts
- 06 Color Finishes
- 194 Planting Guide
- 195 Caring For Your Planters
- 196 Terms and Conditions
- 198 Shipping
- 199 Warranty
- 201 Our Customers
- 202 Planter Index
- 209 Contact Details



Collections

08 Rectangles

90 Rounds

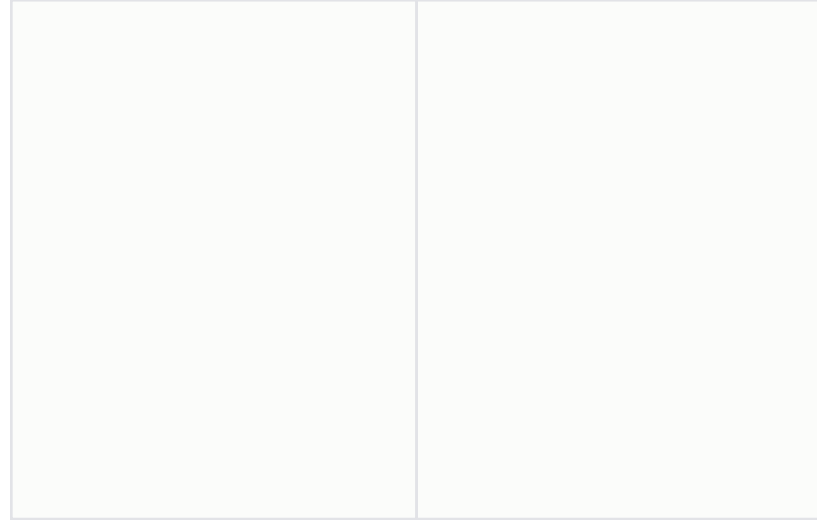
148 Organic

158 Squares

Available Colors

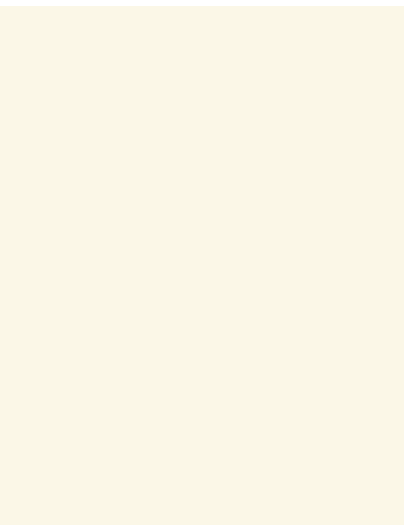
The Jay Scotts luxury planter collection is available in 20 standard all-weather, durable, UV-resistant color finishes for any style.

*Custom color finishes are also available. Contact our office for more details.



MBW Matte Bright White

GBW Gloss Bright White



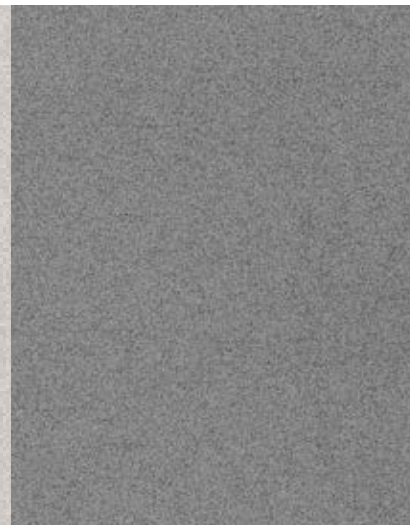
SBE Satin Beige



MCG Matte Cement Grey



SLV Metallic Silver



MGM Matte Gunmetal



MCH Matte Charcoal



MBK Matte Black



MDB Matte Dark Brown



MBZ Matte Bronze



BRZ Metallic Bronze



GMG Gloss Metallic Gold



SGR Satin Green



SSG Satin Seafoam Green



MCB Matte Cobalt Blue



GEG Gloss Eggplant



MTC Matte Terra Cotta



GRD Gloss Red



GTG Gloss Tangerine



GSF Gloss Saffron





RECTANGLES

Small enough to fit on a shelf, large enough to completely close off the rest of the world and surround yourself with nature. Our rectangular planter collection is so vast, you're sure to find the perfect fit.

There is no space or design scheme that these planters will not add a special flair to.



10” Wide Collection

Slender and sleek, our 10-inch-wide collection is perfect for narrow spaces. Offering two different heights (24 and 32 inches) in multiple lengths, this series is ideal when the form and function of a rectangle is desired, but space is limited.



69729.C Amesbury Corner

69729.48 Amesbury

69419.36 Milano

69419.C Milano Corner



Ethos
GREEK BISTRO

2055

Milano Rectangle

10" wide collection



Milano Rectangle 69419

24" height and available in 3 lengths

	Exterior			Interior Opening	
	Length	Width	Height	Length	Width
69419.24	24"	10"	24"	21"	7"
69419.36	36"	10"	24"	33"	7"
69419.48	48"	10"	24"	45"	7"

*Corner option available (Page 176)

69419.C	10"	10"	24"	7"	7"
---------	-----	-----	-----	----	----

4midtown

3301

Amesbury Rectangle

10" wide collection



Amesbury Rectangle 69729

32" height and available in 3 lengths

	Exterior			Interior Opening	
	Length	Width	Height	Length	Width
69729.24	24"	10"	32"	21"	7"
69729.36	36"	10"	32"	33"	7"
69729.48	48"	10"	32"	45"	7"

*Corner option available (Page 176)

69729.C	10"	10"	32"	7"	7"
---------	-----	-----	-----	----	----

12” Wide Collection

One of our newest additions is the 12-inch-wide collection with the opening snugly accommodating a 10” grow pot. This series offers three different heights (18, 24 and 32 inches) providing the opportunity to accomplish disparate design objectives. Each planter is available in multiple lengths and includes a corner piece option lending a hand to extraordinary design flexibility.



69410 Delray

69400 Miami

69405 Hollywood

69410.C Delray

69405.C Hollywood

69400.C Miami



Miami Rectangle

12" wide collection



Miami Rectangle 69400

18" height and available in 5 lengths

	Exterior			Interior Opening	
	Length	Width	Height	Length	Width
69400.24	24"	12"	18"	21"	9"
69400.36	36"	12"	18"	33"	9"
69400.48	48"	12"	18"	45"	9"
69400.60	60"	12"	18"	57"	9"
69400.72	72"	12"	18"	69"	9"

*Corner option available (Page 173)

69400.C	12"	12"	18"	9"	9"
---------	-----	-----	-----	----	----



VISION
IS THE ART
OF SEEING THE
INVISIBLE

Hollywood Rectangle

12" wide collection



Hollywood Rectangle 69405

24" height and available in 5 lengths

	Exterior			Interior Opening	
	<i>Length</i>	<i>Width</i>	<i>Height</i>	<i>Length</i>	<i>Width</i>
69405.24	24"	12"	24"	21"	9"
69405.36	36"	12"	24"	33"	9"
69405.48	48"	12"	24"	45"	9"
69405.60	60"	12"	24"	57"	9"
69405.72	72"	12"	24"	69"	9"

*Corner option available (Page 177)

69405.C	12"	12"	24"	9"	9"
---------	-----	-----	-----	----	----



Delray Rectangle

12" wide collection



Delray Rectangle 69410

32" height and available in 5 lengths

	Exterior			Interior Opening	
	Length	Width	Height	Length	Width
69410.24	24"	12"	32"	21"	9"
69410.36	36"	12"	32"	33"	9"
69410.48	48"	12"	32"	45"	9"
69410.60	60"	12"	32"	57"	9"
69410.72	72"	12"	32"	69"	9"

*Corner option available (Page 177)

69410.C	12"	12"	32"	9"	9"
---------	-----	-----	-----	----	----

14" Wide Collection

Low and wide, the 14-inch collection is a natural choice for enclosing patios and defining walkways without sacrificing the view. These are small enough to create a flower bed, but large enough to accommodate a variety of bushes.



69025.72 Cuba

69025.60 Cuba

69025.48 Cuba

69025.36 Cuba

69025.C Cuba



Cuba Rectangle

14" wide collection



Cuba Rectangle 69025
12" height and available in 4 lengths

	Exterior			Interior Opening	
	Length	Width	Height	Length	Width
69025.36	36"	14"	12"	33"	11"
69025.48	48"	14"	12"	45"	11"
69025.60	60"	14"	12"	57"	11"
69025.72	72"	14"	12"	69"	11"

*Corner option available (Page 172)

69025.C	14"	14"	12"	11"	11"
---------	-----	-----	-----	-----	-----

16” Wide Collection

The wider base of our most popular collection accommodates larger plants, bushes, and smaller trees; a beautiful way to create privacy and security. This collection is available in three heights (24, 32, and 42 inches) and five length options; corner units are available for additional flexibility.



69050 Perth

69345 Potsdam

69050.C Perth

69345.C Potsdam

69367.C Tolga

69367 Tolga



Tolga Rectangle

16" wide collection



Tolga Rectangle 69367
24" height and available in 5 lengths

	Exterior			Interior Opening	
	Length	Width	Height	Length	Width
69367.24	24"	16"	24"	21"	13"
69367.36	36"	16"	24"	33"	13"
69367.48	48"	16"	24"	45"	13"
69367.60	60"	16"	24"	57"	13"
69367.72	72"	16"	24"	69"	13"

*Corner option available (Page 178)

69367.C	16"	16"	24"	13"	13"
---------	-----	-----	-----	-----	-----



Potsdam Rectangle

16" wide collection



Potsdam Rectangle 69345

32" height and available in 5 lengths

	Exterior			Interior Opening	
	Length	Width	Height	Length	Width
69345.24	24"	16"	32"	21"	13"
69345.36	36"	16"	32"	33"	13"
69345.48	48"	16"	32"	45"	13"
69345.60	60"	16"	32"	57"	13"
69345.72	72"	16"	32"	69"	13"

*Corner option available (Page 178)

69345.C	16"	16"	32"	13"	13"
---------	-----	-----	-----	-----	-----



Perth Rectangle

16" wide collection



Perth Rectangle 69050

42" height and available in 5 lengths

	Exterior			Interior Opening	
	<i>Length</i>	<i>Width</i>	<i>Height</i>	<i>Length</i>	<i>Width</i>
69050.24	24"	16"	42"	21"	13"
69050.36	36"	16"	42"	33"	13"
69050.48	48"	16"	42"	45"	13"
69050.60	60"	16"	42"	57"	13"
69050.72	72"	16"	42"	69"	13"

*Corner option available (Page 178)

69050.C	16"	16"	42"	13"	13"
---------	-----	-----	-----	-----	-----

24" Wide Collection

Our boldest rectangular collection, the 24-inch-wide series is greatly expanded offering 5 different heights with 4 different lengths and corner units for each. The possibilities are limitless. This collection is well suited for large statement pieces, barriers, or housing a large variety of plants in one planter.



70325.C Darwin

70325 Darwin

70300 Brisbane

70150 Granada

70125 Torino

70300.C Brisbane

69141.24 Montroy

70125.C Torino

70100 Antwerp

70100.C Antwerp



Antwerp Rectangle

24" wide collection



Antwerp Rectangle 70100

12" height and available in 4 lengths

	Exterior			Interior Opening	
	<i>Length</i>	<i>Width</i>	<i>Height</i>	<i>Length</i>	<i>Width</i>
70100.36	36"	24"	12"	32.6"	20.6"
70100.48	48"	24"	12"	44.6"	20.6"
70100.60	60"	24"	12"	56.6"	20.6"
70100.72	72"	24"	12"	68.6"	20.6"

*Corner option available (Page 172)

70100.C	24"	24"	12"	20.6"	20.6"
---------	-----	-----	-----	-------	-------



Torino Rectangle

24" wide collection



Torino Rectangle 70125

18" height and available in 4 lengths

	Exterior			Interior Opening	
	<i>Length</i>	<i>Width</i>	<i>Height</i>	<i>Length</i>	<i>Width</i>
70125.36	36"	24"	18"	32.6"	20.6"
70125.48	48"	24"	18"	44.6"	20.6"
70125.60	60"	24"	18"	56.6"	20.6"
70125.72	72"	24"	18"	68.6"	20.6"

*Corner option available (Page 173)

70125.C	24"	24"	18"	20.6"	20.6"
---------	-----	-----	-----	-------	-------



Granada Rectangle

24" wide collection



Granada Rectangle 70150 24" height and available in 4 lengths

	Exterior			Interior Opening	
	<i>Length</i>	<i>Width</i>	<i>Height</i>	<i>Length</i>	<i>Width</i>
70150.36	36"	24"	24"	32.6"	20.6"
70150.48	48"	24"	24"	44.6"	20.6"
70150.60	60"	24"	24"	56.6"	20.6"
70150.72	72"	24"	24"	68.6"	20.6"

*Corner option available (Page 179)

69141.24	24"	24"	24"	21"	21"
----------	-----	-----	-----	-----	-----



Brisbane Rectangle

24" wide collection



Brisbane Rectangle 70300
32" height and available in 4 lengths

	Exterior			Interior Opening	
	<i>Length</i>	<i>Width</i>	<i>Height</i>	<i>Length</i>	<i>Width</i>
70300.36	36"	24"	32"	32.6"	20.6"
70300.48	48"	24"	32"	44.6"	20.6"
70300.60	60"	24"	32"	56.6"	20.6"
70300.72	72"	24"	32"	68.6"	20.6"

*Corner option available (Page 179)

70300.C	24"	24"	32"	20.6"	20.6"
---------	-----	-----	-----	-------	-------



Darwin Rectangle

24" wide collection



Darwin Rectangle 70325

42" height and available in 4 lengths


	Exterior			Interior Opening	
	<i>Length</i>	<i>Width</i>	<i>Height</i>	<i>Length</i>	<i>Width</i>
70325.36	36"	24"	42"	32.6"	20.6"
70325.48	48"	24"	42"	44.6"	20.6"
70325.60	60"	24"	42"	56.6"	20.6"
70325.72	72"	24"	42"	68.6"	20.6"

*Corner option available (Page 179)

70325.C	24"	24"	42"	20.6"	20.6"
---------	-----	-----	-----	-------	-------

Garden Planter Beds

Our longest and widest collection of rectangular planters is perfect for large open spaces, home-grown fruits, and vegetables, or plants requiring room for root expansion.



69497.84 Selenge

69497.70 Selenge

69497.56 Selenge



Selenge Rectangle



Selenge Rectangle 69497
Available in 3 sizes

	Exterior			Interior Opening	
	<i>Length</i>	<i>Width</i>	<i>Height</i>	<i>Length</i>	<i>Width</i>
69497.56	56"	24"	12"	54"	22"
69497.70	70"	30"	15"	66"	26"
69497.84	84"	36"	18"	79.7"	31.7"

Rectangle Outliers

This collection highlights some unique and unusual variations of our rectangle designs. These designs make great stand-alone statement pieces or can be mixed and matched with other planters for an eclectic look.



69381100 Hudson



69370 Seoul



69615 Amsterdam



69220 Badalona



Amsterdam Rectangle



Amsterdam Rectangle 69615

Available in 2 sizes

	<u>Exterior</u>			<u>Interior Opening</u>	
	<i>Length</i>	<i>Width</i>	<i>Height</i>	<i>Length</i>	<i>Width</i>
69615.26	16"	10"	26"	14"	8"
69615.30	20"	12"	30"	18"	10"



Seoul Rectangle



Seoul Rectangle 69370
Available in 3 sizes

	Exterior			Interior Opening	
	<i>Length</i>	<i>Width</i>	<i>Height</i>	<i>Length</i>	<i>Width</i>
69370.32	32"	12"	18"	28"	9.9"
69370.36	36"	16"	24"	32"	14"
69370.48	48"	20"	36"	40"	17.9"



Badalona Rectangle

17" wide



Badalona Rectangle 69220
17" height and available in 1 length

	Exterior			Interior Opening	
	Length	Width	Height	Length	Width
69220	39"	17"	17"	36"	14"



Hudson Rectangle

18" wide



Hudson Rectangle 69381
28" height and available in 1 length

	Exterior			Interior Opening	
	<i>Length</i>	<i>Width</i>	<i>Height</i>	<i>Length</i>	<i>Width</i>
69381.100	100"	18"	28"	96.9"	14.9"

Rectangle Specialty Use

The Nile wall-mounted collection is designed as a low-profile option for adding greenery without sacrificing your floor space. Built-in and predrilled reinforcement plates enable quick and secure mounting on any vertical surface. For patios, or areas with hand or guard rails, we offer our Tiergarden railing planter, the perfect home for plants atop railings.



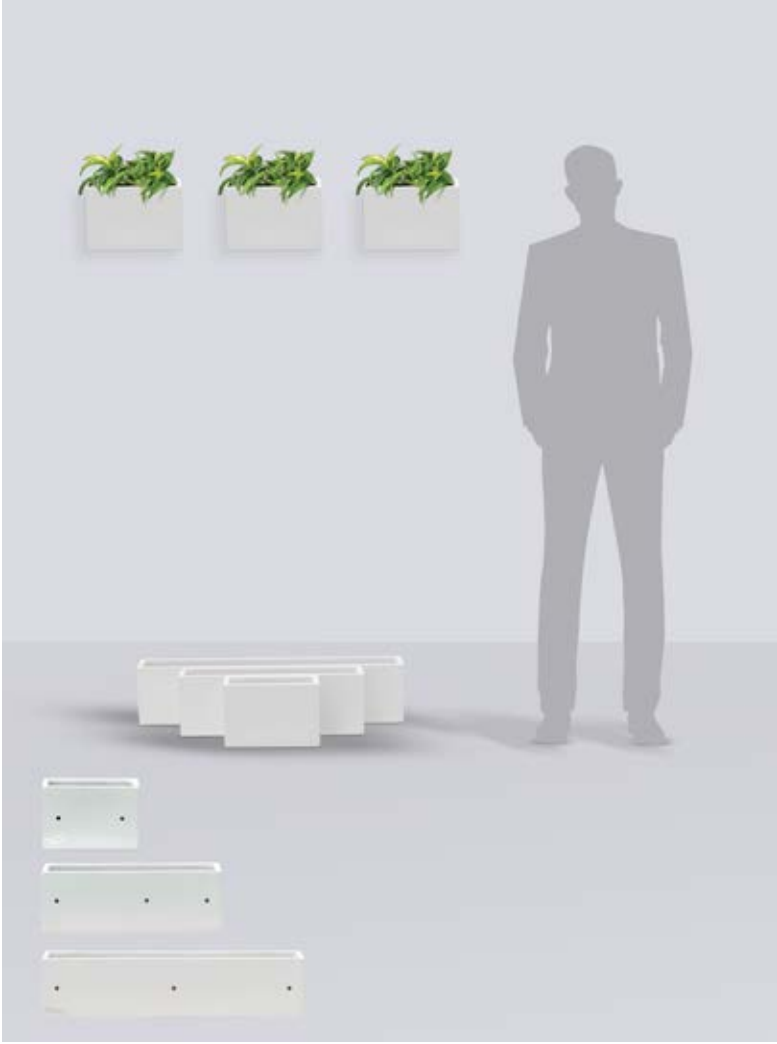
69315 Nile



69761 Tiegarten

Nile Wall Planter

5" wide



* Mounting holes shown on back for proper wall placement.

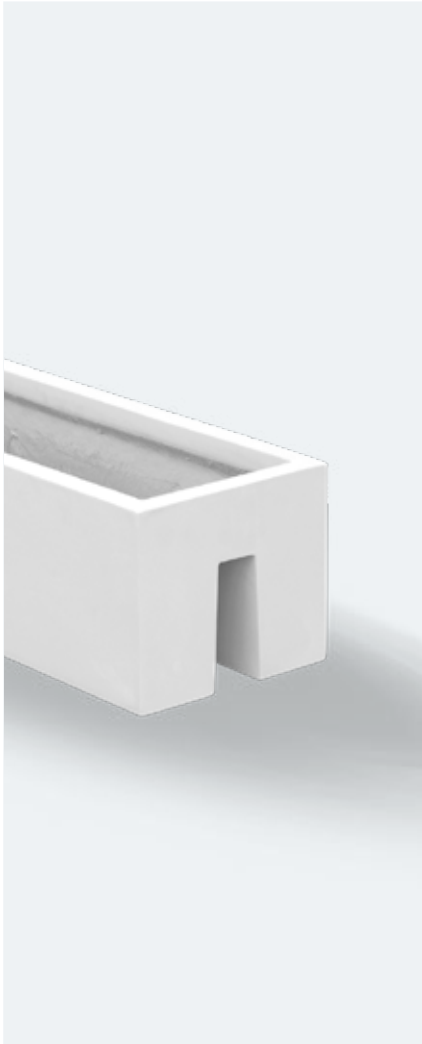
Nile Wall Planter 69315

8" height and available in 3 lengths

	Exterior			Interior Opening	
	Length	Width	Height	Length	Width
69315.12	12"	5"	8"	10.8"	3.8"
69315.24	24"	5"	8"	22.8"	3.8"
69315.36	36"	5"	8"	34.8"	3.8"

Tiergarden Railing Planter

12" wide



*Railing mount is 2.4" width x 36" Length

Tiergarden Railing Panter 69761

10" height and available in 1 length

	Exterior			Interior Opening	
	Length	Width	Height	Length	Width
69761.36	36"	12"	10"	34"	10"

7" Wide Collection

Small but stunning; the 7-inch collection consists of rectangles and squares that are 7 inches wide and 7 inches tall. This series works wonderfully on interior surfaces or anywhere with limited space.

69453 Wheeling



69478 Vicksburg



69316 Tupelo



69418 Tonto



69473 Weir



Tonto Square

7" wide 7" height



69418

Exterior			Interior Opening	
<i>Length</i>	<i>Width</i>	<i>Height</i>	<i>Length</i>	<i>Width</i>
7"	7"	7"	6"	6"

Tupelo Rectangle

7" wide 7" height



69316.20

Exterior			Interior Opening	
<i>Length</i>	<i>Width</i>	<i>Height</i>	<i>Length</i>	<i>Width</i>
20"	7"	7"	19"	6"

Weir Rectangle

7" wide 7" height



69473.26

Exterior			Interior Opening	
<i>Length</i>	<i>Width</i>	<i>Height</i>	<i>Length</i>	<i>Width</i>
26"	7"	7"	25"	6"

Vicksburg Rectangle

7" wide 7" height



69478.32

Exterior			Interior Opening	
<i>Length</i>	<i>Width</i>	<i>Height</i>	<i>Length</i>	<i>Width</i>
32"	7"	7"	31"	6"

Wheeling Rectangle

7" wide 7" height



69453.44

Exterior			Interior Opening	
<i>Length</i>	<i>Width</i>	<i>Height</i>	<i>Length</i>	<i>Width</i>
44"	7"	7"	43"	6"

8" Wide Collection

Bold, wide rims are the stand-out feature of this collection. The 4-inch interior opening snugly holds plants in place and keeps them cozy with their 2-inch-wide rim.



69213 Camoux



69210 Salon



Salon Rectangle

8" wide



Salon Rectangle 69210
8" height and available in 3 lengths

	Exterior			Interior Opening	
	Length	Width	Height	Length	Width
69210.36	36"	8"	8"	32"	4"
69210.42	42"	8"	8"	38"	4"
69210.48	48"	8"	8"	44"	4"



Camoux Rectangle

8" wide



Camoux Rectangle 69213
18" height and available in 3 lengths

	Exterior			Interior Opening	
	Length	Width	Height	Length	Width
69213.36	36"	8"	18"	32"	4"
69213.48	48"	8"	18"	44"	4"
69213.54	54"	8"	18"	50"	4"

Eclectic Taper Collection

Modern straight lines are a cornerstone of our product lines, but sometimes the situation calls for a little variation. Meet our tapered collection of squares and rectangles that bend, never break, the line.



69305 Lima

69505 Toulan

69715 Panama



Lima Square



Lima Square 69305
Available in 5 sizes

	Exterior			Interior Opening	
	<i>Length</i>	<i>Width</i>	<i>Height</i>	<i>Length</i>	<i>Width</i>
69305.11	12"	12"	12"	10"	10"
69305.15	16"	16"	16"	13.9"	13.9"
69305.19	20"	20"	20"	17"	17"
69305.24	24"	24"	24"	20.9"	20.9"
69305.30	30"	30"	30"	26"	26"



Toulan Square



Toulan Square 69505
Available in 6 sizes

	Exterior			Interior Opening	
	<i>Length</i>	<i>Width</i>	<i>Height</i>	<i>Length</i>	<i>Width</i>
69505.11	12"	12"	22"	10"	10"
69505.15	16"	16"	30"	13.9"	13.9"
69505.18	20"	20"	42"	17"	17"
69505.23	23"	23"	48"	20"	20"
69505.28	28"	28"	60"	24"	24"
69505.36	18"	18"	36"	15.7"	15.7"



Panama Rectangle

12" wide



Panama Rectangle 69715
18" height and available in 3 lengths

	Exterior			Interior Opening	
	Length	Width	Height	Length	Width
69715.36	36"	12"	18"	33"	8.8"
69715.48	48"	12"	18"	45"	8.8"
69715.60	60"	12"	18"	57"	8.8"

Modular / Linear

Modular designs consist of related, but not uniform, design elements. It can incorporate planters with different heights and similar depths for a clean linear, yet tiered, visual. Corner units can be used to create fluid turns or returns. Or styles can be completely mixed and matched for unique custom groupings. This collection highlights a sampling of planters that are easily combined to create functional space dividers or simply enhance and beautify your space.



69729.C Amesbury Corner

69729.48 Amesbury

69419.C Milano Corner

69419.36 Milano

Potsdam Corner 69345

69345.C	Exterior			Interior Opening	
	Length	Width	Height	Length	Width
	16"	16"	32"	13"	13"



Montroy Cube 69141

69141.16	Exterior			Interior Opening	
	Length	Width	Height	Length	Width
	16"	16"	16"	13"	13"



*Staggered Corner square planter configuration.



©Greenville Planters



Brisbane Corner 70300

70300.C	Exterior			Interior Opening	
	<i>Length</i>	<i>Width</i>	<i>Height</i>	<i>Length</i>	<i>Width</i>
	24"	24"	32"	20.6"	20.6"



Tolga Corner 69367

69367.C	Exterior			Interior Opening	
	<i>Length</i>	<i>Width</i>	<i>Height</i>	<i>Length</i>	<i>Width</i>
	16"	16"	24"	13"	13"

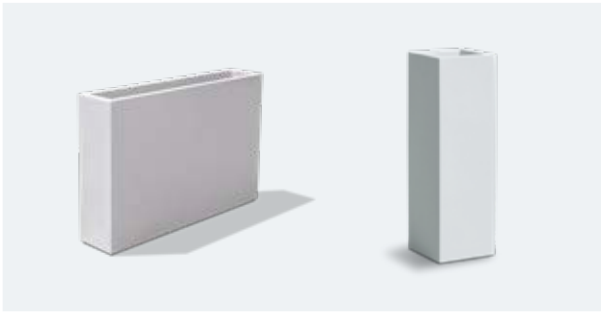


Cuba Corner 69025

69025.C	Exterior			Interior Opening	
	<i>Length</i>	<i>Width</i>	<i>Height</i>	<i>Length</i>	<i>Width</i>
	14"	14"	12"	11"	11"

*Staggered Corner square planter configuration.





Amesbury 69729

	Exterior			Interior Opening	
	Length	Width	Height	Length	Width
69729.48	48"	10"	32"	45"	7"

Amesbury Corner 69729

	Exterior			Interior Opening	
	Length	Width	Height	Length	Width
69729.C	10"	10"	32"	7"	7"

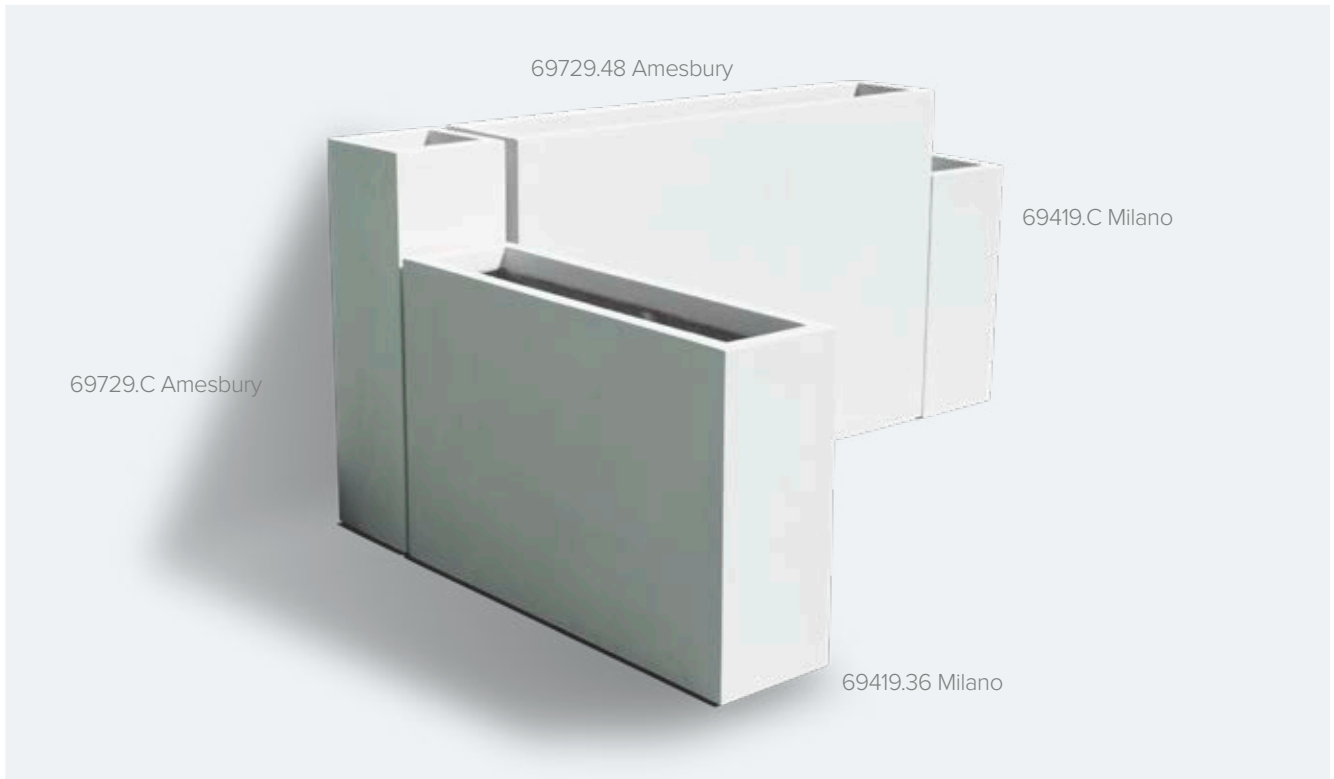


Milano 69419

	Exterior			Interior Opening	
	Length	Width	Height	Length	Width
69419.36	36"	10"	24"	33"	7"

Milano Corner 69419

	Exterior			Interior Opening	
	Length	Width	Height	Length	Width
69419.C	10"	10"	24"	7"	7"



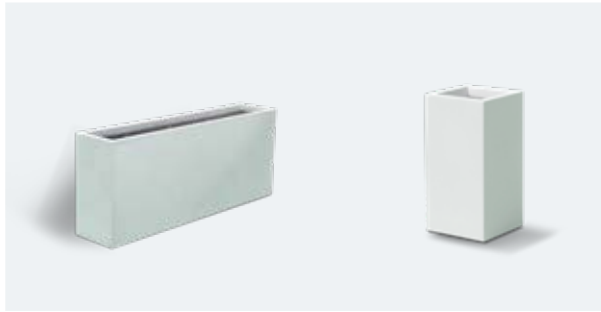


Delray 69410

	Exterior			Interior Opening	
	Length	Width	Height	Length	Width
69410.72	72"	12"	32"	69"	9"

Delray Corner 69410

	Exterior			Interior Opening	
	Length	Width	Height	Length	Width
69410.C	12"	12"	32"	9"	9"



Hollywood 69405

	Exterior			Interior Opening	
	Length	Width	Height	Length	Width
69405.60	60"	12"	24"	57"	9"

Hollywood Corner 69405

	Exterior			Interior Opening	
	Length	Width	Height	Length	Width
69405.C	12"	12"	24"	9"	9"



Miami 69400

	Exterior			Interior Opening	
	Length	Width	Height	Length	Width
69400.48	48"	12"	18"	45"	9"

Miami Corner 69400

	Exterior			Interior Opening	
	Length	Width	Height	Length	Width
69400.C	12"	12"	18"	9"	9"



* Tiered Rectangles and Corner Square planter layout.



ROUNDS

Offering a fresh take on an all-time favorite planter shape, round planters by Jay Scotts will grace any space with timeless class and elegance.

Modern tall round planters, traditional bowl planters, globe sphere planters, cylinder pots, or any oval, ribbed and unique designs that fit both indoor and outdoor decor.



Teardrop

Replicating nature's simple beauty, this collection features a reverse taper or teardrop shape. Broad and stable at the base and slimming toward the top this collection exemplifies elegance.



69015 Hayden

69020 Saigon

69117 Short Hayden



Short Hayden Round



Short Hayden Round 69117
Available in 3 sizes

	Exterior		Interior Opening	
	<i>Diameter</i>	<i>Height</i>	<i>Length</i>	<i>Width</i>
69117.12	12"	7"	10"	10"
69117.16	16"	8"	14"	14"
69117.20	20"	10"	18"	18"



Hayden Round



Hayden Round 69015
Available in 4 sizes

	Exterior		Interior Opening	
	<i>Diameter</i>	<i>Height</i>	<i>Length</i>	<i>Width</i>
69015.10	9"	15"	6.8"	6.8"
69015.12	13"	20"	10.8"	10.8"
69015.15	17"	23"	13"	13"
69015.18	20"	29"	16"	16"



Saigon Organic



*Designed with an extended internal planter ledge to support nursery grow pots.

Saigon Organic 69020

Available in 3 sizes

	Exterior		Interior Opening	
	<i>Diameter</i>	<i>Height</i>	<i>Length</i>	<i>Width</i>
69020.14	17"	30"	11.7"	11.7"
69020.16	21"	36"	14"	14"
69020.19	24"	42"	16"	16"

Cylinder

Sophisticated simplicity is the only way to describe our cylindrical planter collection.



69607 Corry

69205 Rio Grande



Corry Round



Corry Round 69607
Available in 3 sizes

	Exterior		Interior Opening	
	<i>Diameter</i>	<i>Height</i>	<i>Length</i>	<i>Width</i>
69607.20	10"	20"	8"	8"
69607.30	10"	30"	8"	8"
69607.36	12"	36"	10"	10"



Rio Grande Round



Rio Grande Round 69205
Available in 3 sizes

	Exterior		Interior Opening	
	<i>Diameter</i>	<i>Height</i>	<i>Length</i>	<i>Width</i>
69205.18	18"	20"	15.6"	15.6"
69205.22	22"	22"	19"	19"
69205.30	30"	32"	26.9"	26.9"

Soft Taper Cylinder

If striking a visual balance between casual and high-end design, or simply wanting a smooth, subdued style, then our soft taper collection is for you.



69121 Lisbon

69626 Saint Tropez



Lisbon Round



Lisbon Round 69121
Available in 3 sizes

	Exterior		Interior Opening	
	<i>Diameter</i>	<i>Height</i>	<i>Length</i>	<i>Width</i>
69121.14	14"	25"	11.6"	11.6"
69121.18	18"	32"	15.6"	15.6"
69121.24	24"	36"	20.9"	20.9"



Saint Tropez Round



Saint Tropez Round 69626
Available in 5 sizes

	Exterior		Interior Opening	
	<i>Diameter</i>	<i>Height</i>	<i>Length</i>	<i>Width</i>
69626.12	12"	32"	9.6"	9.6"
69626.16	16"	38"	12.8"	12.8"
69626.20	20"	43"	16.8"	16.8"
69626.24	24"	50"	20.9"	20.9"
69626.28	28"	60"	24"	24"

Straight Tapered

The classic straight taper, a favorite among customers, features a sturdy top and close-angled sides thereby providing a unique, contrasting look that defines your space for a totally new upscale appearance.



69225 Pego Oval

69185 Tegel



Tegel Round



Tegel Round 69185
Available in 2 sizes

	Exterior		Interior Opening	
	<i>Diameter</i>	<i>Height</i>	<i>Length</i>	<i>Width</i>
69185.18	18"	26"	15.6"	15.6"
69185.22	22"	30"	19.6"	19.6"



Pego Oval



Pego Oval 69225
Available in 3 sizes

	Exterior			Interior Opening	
	<i>Length</i>	<i>Width</i>	<i>Height</i>	<i>Length</i>	<i>Width</i>
69225.14	14"	10"	22"	12"	8"
69225.18	18.5"	15"	26"	16"	12"
69225.22	25.5"	22"	30"	23"	18.7"

Tapered Round

With one of our most popular planters being the tapered round collection, it's easy to find the right choice to add something special to any design space. The most beautiful characteristic of this group is its unique and subtle taper with 17 different size options.



69600 Brannan

69230 Wannsee



69790 Casablanca

69125 Valencia



Valencia Round



Valencia Round 69125

Available in 3 sizes

	Exterior		Interior Opening	
	<i>Diameter</i>	<i>Height</i>	<i>Length</i>	<i>Width</i>
69125.15	15"	18"	12.6"	12.6"
69125.20	20"	23"	16.5"	16.5"
69125.27	27"	31"	23"	23"



Brannan Round



Brannan Round 69600
Available in 3 sizes

	Exterior		Interior Opening	
	<i>Diameter</i>	<i>Height</i>	<i>Length</i>	<i>Width</i>
69600.18	18"	29"	14.9"	14.9"
69600.24	24"	35"	20"	20"
69600.30	30"	41"	25.5"	25.5"



Casablanca Round



Casablanca Round 69790
Available in 4 sizes

	Exterior		Interior Opening	
	<i>Diameter</i>	<i>Height</i>	<i>Length</i>	<i>Width</i>
69790.20	20"	10"	17"	17"
69790.24	24"	12"	20.9"	20.9"
69790.30	30"	15"	26.9"	26.9"
69790.36	36"	18"	32.9"	32.9"



Wannsee Round



Wannsee Round 69230

Available in 7 sizes

	Exterior		Interior Opening	
	<i>Diameter</i>	<i>Height</i>	<i>Length</i>	<i>Width</i>
69230.15	15"	13"	13.5"	13.5"
69230.22	22"	19"	19.8"	19.8"
69230.27	27"	24"	24"	24"
69230.33	33"	29"	29"	29"
69230.39	39"	34"	35"	35"
69230.44	44"	39"	40"	40"
69230.50	50"	44"	45"	45"

Bowls

Understated and elegant, this series of planters has a refreshingly simple style with a smooth rounded base which makes it ideal for reception areas, expansive courtyards, or roomy lobbies.



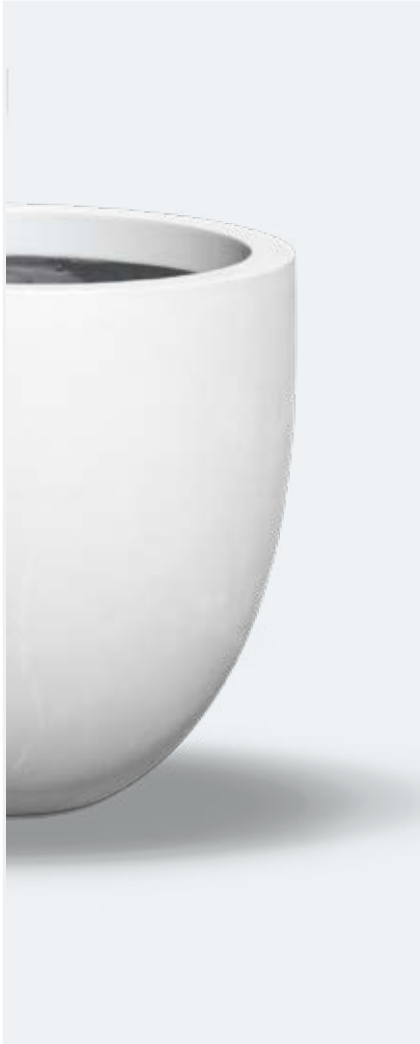
69285 Alzira



69415 Tarragona



Alzira Round



Alzira Round 69285

Available in 3 sizes

	Exterior		Interior Opening	
	<i>Diameter</i>	<i>Height</i>	<i>Length</i>	<i>Width</i>
69285.23	23"	22"	18.7"	18.7"
69285.30	30"	28"	25.5"	25.5"
69285.36	36"	34"	31"	31"



Tarragona Round



Tarragona Round 69415
Available in 3 sizes

	Exterior		Interior Opening	
	<i>Diameter</i>	<i>Height</i>	<i>Length</i>	<i>Width</i>
69415.18	18"	12"	16"	16"
69415.24	24"	16"	21.5"	21.5"
69415.30	30"	20"	25"	25"

Fluted Collection

Asymmetrical in nature, these planters display a repeating, layered fold element that creates a high-value look. Whether used as a focal point, or subtly blended into a background, this planter is so versatile it can be used on front porches, living rooms, or lounge entryways.



69468 Alicante Fluted



69587 San Jose Fluted



69561 Santa Barbara Fluted



Santa Barbara Fluted



Santa Barbara Fluted 69561
Available in 1 size

69561.23	Exterior		Interior Opening	
	<i>Diameter</i>	<i>Height</i>	<i>Length</i>	<i>Width</i>
	23"	21"	19"	19"



San Jose Fluted



San Jose Fluted 69587
Available in 2 sizes

	Exterior		Interior Opening	
	<i>Diameter</i>	<i>Height</i>	<i>Length</i>	<i>Width</i>
69587.16	16"	30"	12.9"	12.9"
69587.22	22"	40"	18"	18"



Alicante Fluted



Alicante Fluted 69468

Available in 3 sizes

	Exterior		Interior Opening	
	<i>Diameter</i>	<i>Height</i>	<i>Length</i>	<i>Width</i>
69468.15	15"	21"	12.6"	12.6"
69468.22	22"	27"	18.9"	18.9"
69468.26	26"	32"	22.9"	22.9"

Spheres

Classic, bold, and beautiful; this series showcases the simple beauty of the spherical shape. Versatility abounds, this series will only enhance your décor no matter the style.



69295 Globe



69245 Spiral



Globe Round



Globe Round 69295
Available in 3 sizes

	Exterior		Interior Opening	
	<i>Diameter</i>	<i>Height</i>	<i>Length</i>	<i>Width</i>
69295.24	24"	19"	13"	13"
69295.30	30"	24"	15"	15"
69295.36	36"	31"	17"	17"



Spiral Round



Spiral Round 69245
Available in 1 size

69245	Exterior		Interior Opening	
	Diameter	Height	Length	Width
	26"	26"	15.8"	15.8"

Organic

Elegant curves with a soft natural look makes this series of pebble-inspired planters a true statement piece, having three distinct looks but the same exceptional durability and finish.



69815 River Rock Large



69816 River Rock Medium



69817 River Rock Small



River Rock Organic



River Rock Organic
Available in 3 sizes

	Exterior			Interior Opening			
	<i>Length</i>	<i>Width</i>	<i>Height</i>	<i>Length</i>	<i>Width</i>	<i>Length</i>	<i>Width</i>
69815	22"	21"	12"	16"	9.5"	11"	5.5"
69816	16"	10"	6"	8"	4.5"	9"	5"
69817	13"	7"	4"	6"	4.5"		

Traditional

Don't overlook the classics. These styles are our most popular designs for those who are wanting to add an elegantly subtle hint of decorative flair to their space, whether on patios, poolside or complementing any style area of home or office.



69155 Bara Jar

69460 Shanghai



Bara Jar Organic



Bara Jar Organic 69155
Available in 2 sizes

	Exterior		Interior Opening	
	<i>Diameter</i>	<i>Height</i>	<i>Length</i>	<i>Width</i>
69155.20	20"	31"	11"	11"
69155.24	24"	37"	14"	14"



Shanghai Round



Shanghai Round 69460
Available in 2 sizes

	Exterior		Interior Opening	
	<i>Diameter</i>	<i>Height</i>	<i>Length</i>	<i>Width</i>
69460.16	16"	14"	13.6"	13.6"
69460.22	22"	19"	18"	18"



SQUARES

The symmetry of square cube planters, together with their hard lines, add a modern edge to both interior and exterior landscaping. Use large square planter boxes to accent your patio furniture, or smaller modern square planters to accentuate interior spaces!



Short Square Taper

These planters showcase sleek and simple lines, true classic square shapes that easily accentuate patios, porches, and balconies while providing an eye-catching focal point.



69305 Lima

69904 Kathryn



Kathryn Square



Kathryn Square 69904
Available in 3 sizes

	Exterior			Interior Opening	
	<i>Length</i>	<i>Width</i>	<i>Height</i>	<i>Length</i>	<i>Width</i>
69904.18	18"	18"	13"	15"	15"
69904.24	24"	24"	17"	20"	20"
69904.30	30"	30"	22"	25.5"	25.5"



Lima Square



Lima Square 69305

Available in 5 sizes

	Exterior			Interior Opening	
	<i>Length</i>	<i>Width</i>	<i>Height</i>	<i>Length</i>	<i>Width</i>
69305.11	12"	12"	12"	10"	10"
69305.15	16"	16"	16"	13.9"	13.9"
69305.19	20"	20"	20"	17"	17"
69305.24	24"	24"	24"	20.9"	20.9"
69305.30	30"	30"	30"	26"	26"

Tall Square Taper

Taller and leaner than the short square taper collection, this collection features a less dramatic taper to the base but is no less impressive in the style and beauty department.



69505 Toulan



Toulan Square



Toulan Square 69505
Available in 6 sizes

	Exterior			Interior Opening	
	<i>Length</i>	<i>Width</i>	<i>Height</i>	<i>Length</i>	<i>Width</i>
69505.11	12"	12"	22"	10"	10"
69505.15	16"	16"	30"	13.9"	13.9"
69505.18	20"	20"	42"	17"	17"
69505.23	23"	23"	48"	20"	20"
69505.28	28"	28"	60"	24"	24"
69505.36	18"	18"	36"	15.7"	15.7"

Short Square

Also featured within correlating rectangular collections as corner units, these short squares are functional and stylish lower profile planter boxes that deserve their own category. This collection features 5 options, all under 18 inches tall.



70100.C Antwerp Corner

70125.C Torino Corner

69400.C Miami Corner

69025.C Cuba Corner



69418 Tonto

Tonto Corner

7" wide 7" height



69418

Exterior			Interior Opening	
<i>Length</i>	<i>Width</i>	<i>Height</i>	<i>Length</i>	<i>Width</i>
7"	7"	7"	6"	6"

Cuba Corner

14" wide 12" height



69025.C

Exterior			Interior Opening	
<i>Length</i>	<i>Width</i>	<i>Height</i>	<i>Length</i>	<i>Width</i>
14"	14"	12"	11"	11"

Antwerp Corner

24" wide 12" height



70100.C

Exterior			Interior Opening	
<i>Length</i>	<i>Width</i>	<i>Height</i>	<i>Length</i>	<i>Width</i>
24"	24"	12"	20.6"	20.6"

Torino Corner

24" wide 18" height



70125.C

Exterior			Interior Opening	
<i>Length</i>	<i>Width</i>	<i>Height</i>	<i>Length</i>	<i>Width</i>
24"	24"	18"	20.6"	20.6"

Miami Corner

12" wide 18" height



69400.C

Exterior			Interior Opening	
<i>Length</i>	<i>Width</i>	<i>Height</i>	<i>Length</i>	<i>Width</i>
12"	12"	18"	9"	9"

Tall Square Collection

Including the corner units with the larger, rectangular collections doesn't preclude these tall squares from having their own feature spot. This tall square collection features 11 options, 19 inches or taller. Mix and match several for a custom tiered design or select one or two as bold anchors.



10" Series

12" Series

16" Series

24" Series

Milano Corner

10" wide 24" height



69419.C

Exterior			Interior Opening	
<i>Length</i>	<i>Width</i>	<i>Height</i>	<i>Length</i>	<i>Width</i>
10"	10"	24"	7"	7"

Amesbury Corner

10" wide 32" height



69729.C

Exterior			Interior Opening	
<i>Length</i>	<i>Width</i>	<i>Height</i>	<i>Length</i>	<i>Width</i>
10"	10"	32"	7"	7"

Hong Kong

10" wide 42" height



69730.10

Exterior			Interior Opening	
<i>Length</i>	<i>Width</i>	<i>Height</i>	<i>Length</i>	<i>Width</i>
10"	10"	42"	7"	7"

Hollywood Corner

12" wide 24" height



69405.C

Exterior			Interior Opening	
<i>Length</i>	<i>Width</i>	<i>Height</i>	<i>Length</i>	<i>Width</i>
12"	12"	24"	9"	9"

Delray Corner

12" wide 32" height



69410.C

Exterior			Interior Opening	
<i>Length</i>	<i>Width</i>	<i>Height</i>	<i>Length</i>	<i>Width</i>
12"	12"	32"	9"	9"

Tolga Corner

16" wide 24" height



69367.C

Exterior			Interior Opening	
<i>Length</i>	<i>Width</i>	<i>Height</i>	<i>Length</i>	<i>Width</i>
16"	16"	24"	13"	13"

Potsdam Corner

16" wide 32" height



69345.C

Exterior			Interior Opening	
<i>Length</i>	<i>Width</i>	<i>Height</i>	<i>Length</i>	<i>Width</i>
16"	16"	32"	13"	13"

Perth Corner

16" wide 42" height



69050.C

Exterior			Interior Opening	
<i>Length</i>	<i>Width</i>	<i>Height</i>	<i>Length</i>	<i>Width</i>
16"	16"	42"	12.6"	12.6"

Montroy Cube

24" wide 24" height



69141.24

Exterior			Interior Opening	
<i>Length</i>	<i>Width</i>	<i>Height</i>	<i>Length</i>	<i>Width</i>
24"	24"	24"	21"	21"

Brisbane Corner

24" wide 32" height



70300.C

Exterior			Interior Opening	
<i>Length</i>	<i>Width</i>	<i>Height</i>	<i>Length</i>	<i>Width</i>
24"	24"	32"	20.6"	20.6"

Darwin Corner

24" wide 42" height



70325.C

Exterior			Interior Opening	
<i>Length</i>	<i>Width</i>	<i>Height</i>	<i>Length</i>	<i>Width</i>
24"	24"	42"	20.6"	20.6"

Cubes

Symmetry does not have to be boring. This collection consists of 12 perfect cubes, ranging from 7 to 60 inches.



69141 Montroy



Montroy



*Montroy cube .48 and .60 are custom order planters with extended lead times.

Montroy 69141 Available in 11 sizes

	Exterior			Interior Opening	
	Length	Width	Height	Length	Width
69141.12	12"	12"	12"	9"	9"
69141.16	16"	16"	16"	13"	13"
69141.20	20"	20"	20"	17"	17"
69141.22	22"	22"	22"	19"	19"
69141.24	24"	24"	24"	21"	21"
69141.28	28"	28"	28"	25"	25"
69141.32	32"	32"	32"	29"	29"
69141.36	36"	36"	36"	33"	33"
69141.40	40"	40"	40"	37"	37"
*69141.48	48"	48"	48"	45"	45"
*69141.60	60"	60"	60"	57"	57"



Tonto

7" wide



Tonto 69418

7" height

	Exterior			Interior Opening	
	Length	Width	Height	Length	Width
69418	7"	7"	7"	6"	6"

Eclectic Taper Collection

Modern straight lines are a cornerstone of our product lines, but sometimes the situation calls for a little variation. Meet our tapered collection of squares and rectangles that bend, never break, the line.



69305 Lima

69505 Toulan

69715 Panama



Lima Square



Lima Square 69305
Available in 5 sizes

	Exterior			Interior Opening	
	<i>Length</i>	<i>Width</i>	<i>Height</i>	<i>Length</i>	<i>Width</i>
69305.11	12"	12"	12"	10"	10"
69305.15	16"	16"	16"	13.9"	13.9"
69305.19	20"	20"	20"	17"	17"
69305.24	24"	24"	24"	20.9"	20.9"
69305.30	30"	30"	30"	26"	26"



Toulan Square



Toulan Square 69505
Available in 6 sizes

	Exterior			Interior Opening	
	<i>Length</i>	<i>Width</i>	<i>Height</i>	<i>Length</i>	<i>Width</i>
69505.11	12"	12"	22"	10"	10"
69505.15	16"	16"	30"	13.9"	13.9"
69505.18	20"	20"	42"	17"	17"
69505.23	23"	23"	48"	20"	20"
69505.28	28"	28"	60"	24"	24"
69505.36	18"	18"	36"	15.7"	15.7"



Panama Rectangle



Panama Rectangle 69715
Available in 3 sizes

	Exterior			Interior Opening	
	<i>Length</i>	<i>Width</i>	<i>Height</i>	<i>Length</i>	<i>Width</i>
69715.36	36"	12"	18"	33"	9"
69715.48	48"	12"	18"	45"	9"
69715.60	60"	12"	18"	57"	9"

Planting Guide

Potting soil mixture should be used in any/all planters when planting. Potting soil is specially formulated for planter and container gardening. It consists of a mixture of soil, humus, and peat, but can vary from brand to brand. To ensure you are using the correct type of potting soil for your plant(s), check with a professional to determine the correct regional and plant specific soil to be used.

Planters installed outdoors must have drainage holes. During months when temperatures are at freezing or below, water remaining in the soil or planter will freeze and expand which may cause damage to the planter. We do not recommend drainage holes on interior installations.

Our planters are designed to be used without saucers and have feet to allow for water drainage in outdoor applications.

Best Practices

Direct Planting:

1. Insert a layer of landscape fabric.
2. Add a layer of gravel.
 - a. **Best practices:** rinse the sediment off the gravel prior to installing.
3. Insert another layer of landscape fabric.
4. **Optional:** use foam to build up the pot to desired height.
 - a. For commercial installations, higher altitudes, and roof decks – consider adding more rocks (like lava rock), instead of foam, to achieve desired plant height.
5. Once desired height is achieved, insert a drop tray.
 - a. **Best practices:** a grow bag can be used instead of a nursery pot. Grow bags should be the same gallon size as the nursery pot. This ensures no unnecessary air gets in the soil and roots and reduces dirty run-off and staining.
6. Once in place, use filler around the nursery pot/grow bag to stabilize your plant(s) in place.
 - a. **Best practices:** we recommend rubber mulch.
7. **Optional:** top with river rock, moss or other decorative plant finisher.

Inserting Pots:

Internal shelves are available for some planters, speak with your customer service representative for your specific planter choices. Where available, shelves can be inserted in your planter on built-in support ledges. This enables easy placement, or replacement, of nursery and grow pots for discerning customers who love seasonal variety and change.

Want to dress it up further, use optional lightweight filler surrounding nursery pot once placed on ledge, and finish with decorative accessories like moss, or pea gravel.

*The shelves are intended to hold nursery pots, not be directly planted into.

Caring For Your Planter

Your planters are finished with an automotive paint that offers many advantages including UV resistance and can withstand extreme conditions. While our top coat paint used is very durable, storing planters in wet or steamy cartons or standing water can cause damage to the finish. Normal use allowing water to immediately drain off the finish after installation will not cause any harm.

Cleaning

Jay Scotts Fiberglass Planters require very little maintenance to keep their beauty. All planters, regardless of glossy or matte finishes, can be cleaned with normal household cleaning products. We recommend dishwashing soap and avoiding the following: solutions that contain bleach, power washing, steel wool or other abrasives that may scratch your planter.

Polish

Your fiberglass planter surface is comparable to a boat or car. On gloss finishes, polishing with an automotive or marine wax annually will enhance the look of your planter and will help protect the surface, especially in extreme weather climates. We do not recommend wax products on matte finishes unless specifically formulated.

Maintenance

Mild scuff marks and scratches on glossy finishes can often be buffed out. We offer touch up paint kits for nicks and scratches.



Questions?

Please call 905-361-1368 or email us at:
info@greenvilledesigns.com

Terms and Conditions

Customer satisfaction is our priority. Our team is committed to better understanding your needs and working to exceed your expectations for quality, service and timely delivery.

Payment

- 🍃 Greenville Planters does not offer terms.
- 🍃 Payment methods include: Visa, Mastercard, Interac E-Transfer, EFT, wire or cheque.
- 🍃 Greenville offers 20 standard colour options. Custom colours are available and will trigger a surcharge. Please contact our office for additional information.
- 🍃 NSF cheques will incur the maximum processing fee as allowed by law.

Orders

- 🍃 The order process begins with a detailed formal quote that includes colour selection, ship to and bill to addresses. The customer must confirm the quote. The quote process may be waived by the customer by request.
- 🍃 All orders require a minimum 50% deposit. This will initiate the order process, reserve inventory, and place the item(s) in the finishing queue.
- 🍃 An invoice, showing the deposit and balance due prior to shipping/pick-up, will be sent to the customer. An estimated ready-to-ship or ready-to-pickup date will be indicated along with this invoice.
- 🍃 All deposits are non-refundable.
- 🍃 Changes to orders must be made within twenty-four hours of order confirmation, in writing, and must include a written confirmation from Greenville, to be effective.
- 🍃 All backorder situations will be arranged with the customer either when the initial order is placed or within the order fulfillment process.

Backorders

- 🍃 Backordered items include an estimated time of arrival (ETA) line on the sales order. The date in this line item is when the inventory is expected to arrive.
- 🍃 Backorders will be filled within 7-21 days of the arrival date of a shipment.
- 🍃 Backorders will be shipped as available without notice.

Custom Planter Orders

☛ Custom planters are available subject to several conditions:

- 1) a minimum quantity as determined by the Jay Scotts production team once the item specifics are known, and
- 2) are subject to development and mold fees, and
- 3) designs remain the property of The Jay Scotts Company

☛ Lead time for custom planters is typically in the 16 weeks range.

Shipping

☛ All orders are FOB Greenville Planters warehouse, Mississauga, Ontario.

☛ Shipping is done by third-party transport companies. Charges as provided by these companies are invoiced to the customer by Greenville. Customer pick-up is an option.

☛ All shipping quotes are for commercial dock-to-dock delivery. Accessorial services such as residential, tailgate, inside delivery, appointments, white-glove, construction site delivery, etc. will incur supplemental surcharges. Details of receiving facilities and conditions must be provided by the customer. Changes as requested by the customer at the delivery site will be the full responsibility of the customer.

Missing or Damaged Items

☛ Orders **MUST BE INSPECTED** by the customer **AT THE TIME OF DELIVERY**. Any damaged or missing items must be reported immediately, same day, to Greenville Planters in writing to info@greenvilledesigns.com.

If the damaged shipment is accepted by the customer, damage details must be noted on the Bill of Lading that the receiver signs and gives to the transport driver.

☛ Detailed photos and descriptions are required.

Return Policy

☛ Greenville Planters does not accept returns.

Other Important Notes

☛ Planters are not predrilled for drainage. Drainage holes must be drilled for outdoor placement. Drainage holes may be drilled by Greenville Planters by customer written request on a charge-per-planter basis.

☛ Planters must not be stored in a continuously wet environment such as in their protective cartons outdoors, or without cartons outdoors without drainage holes.

Shipping

All products shipped from Greenville Planters are FOB Greenville's warehouse located in Mississauga, Ontario. We ship across Canada. Shipping rates are included in all of our quotes when this service is requested.

We offer customer pick-up and as well, we arrange shipping as per instructions from our customers. Shipping charges are line itemized on the invoice and passed on to the customer. Once shipping details are arranged, we will provide the details such as ETA and tracking numbers where and when available.

The transportation organizations (carriers) we use for shipping are third party companies, which means that many aspects of the delivery are subject to their terms and conditions. Most of these companies are set up for commercial dock-to-dock shipping in order to provide the most economical rates. Most transportation companies do offer additional services for which they charge a supplemental fee. The additional services typically include (but are not limited to) use of tailgate, delivery appointments, residential, white glove, beyond curbside, construction site, city core, extra wait time, inside delivery, debris disposal, etc. For this reason, we will ask our customers to provide a good deal of information as to their needs and, in particular, to the receiving facilities.

Requesting additional services at the time of delivery will incur supplemental charges that become the responsibility of the customer. These charges may be higher than if the accurate delivery instructions would have been provided upon placing the order. We encourage all our customers to provide all these details prior to shipping.

Note that most shipments are wrapped and strapped on a pallet in order to facilitate and protect the shipment. It is the receiving party who is responsible to sign for the shipment and to deal with the packing materials with their own resources. Carriers will not accept or remove this packing material unless prior arrangements have been made.

Please contact Greenville for further information if required. We are pleased to work with you as best we can in order to meet your delivery needs.

Warranty

Jay Scotts Company stands by the quality of our fiberglass planters.

Each planter holds a three (3) year warranty from the time of acceptance of the product.

We warrant the initial purchaser of our products that they are of quality material and workmanship, and are free of manufacturing defects.

Jay Scotts Company, at their sole discretion, will repair, exchange or give credit for the original purchase price of any item providing to be of defective materials or workmanship.

Mishandling, misuse, abuse, failure to follow directions for use, unauthorized modifications, neglect, accidents or any other hazard to the product voids the three year warranty.

Your planters are finished with an automotive paint that offers many advantages including UV resistance and can withstand extreme conditions. While our top coat paint used is very durable, storing planters in wet or steamy cartons or standing water can cause damage to the finish. Normal use allowing water to immediately drain off the finish after installation will not cause any harm.

Each order confirmation comes with handling and planting instructions to ensure the longevity of your planter. It is highly encouraged to follow these instructions for the best use of Jay Scotts planters.

Please note that is the responsibility of the purchaser to ensure that water be able to drain sufficiently from the containers with outdoor use. This is notably important in regions that are subjected to freezing conditions.

Please note that Jay Scotts Company will not be liable for labor, shipping, delivery or any other costs associated with a claim.



Our Customers

The Jay Scotts/Greenville Planters partnership's point of difference emphasizes the priority we place on satisfied customer interaction, quality products and services. We don't think our customers should have to settle, so we go the extra mile before, during, and after the sale.

Our goal is to create a memorable Jay Scotts/Greenville experience that translates into your becoming a customer for life.

OUR GOAL IS TO CREATE A MEMORABLE JAY SCOTTS EXPERIENCE THAT TRANSLATES INTO YOUR BECOMING A CUSTOMER FOR LIFE.

Greenville team members will always make you feel welcome. We are committed to learning about your needs and providing quick and efficient action with timely communications. Greenville Planters wants you to be completely satisfied.

Testimonials:

Lisa: "I love everything about my planter, the rich color, the durability, and, actually I'm going to buy two more shortly. That says it all. They're worth every penny and so nice that you drill the holes, because I hate doing that myself!"

William Owen: "Great products in an ample selection of styles, sizes and colors. You are my go-to company for planters. Keep up the good work."

J. Mark White (Gardenwise): "I find your staff very responsive and very helpful. We almost exclusively use Jay Scott when we are looking for outdoor containers."

Stephanie (Integrated Landscapes): "Thank you for producing a beautiful product that has great quality!"

Gail (800 Plant IT): "Your product is beautiful for permanent interior plant installations."

Space as Art: "Terrific Planters!"

Myrna (Ambius): "Great product quality, amazing customer service, quick turn-around for quotes and delivery of products. Not a single complaint on my side. Thank you all!"

FIND JAY SCOTTS PRODUCTS NEAR YOU



Google HYATT



WILLIAMS-SONOMA



Rectangles *Inches*

Page	Planter	Item	Exterior Dimensions			Interior Opening	
			L	W	H	L	W
13	Milano	69419.24	24	10	24	21	7
		69419.36	36	10	24	33	7
		69419.48	48	10	24	45	7
15	Amesbury	69729.24	24	10	32	21	7
		69729.36	36	10	32	33	7
		69729.48	48	10	32	45	7
19	Miami	69400.24	24	12	18	21	9
		69400.36	36	12	18	33	9
		69400.48	48	12	18	45	9
		69400.60	60	12	18	57	9
		69400.72	72	12	18	69	9
21	Hollywood	69405.24	24	12	24	21	9
		69405.36	36	12	24	33	9
		69405.48	48	12	24	45	9
		69405.60	60	12	24	57	9
		69405.72	72	12	24	69	9
23	Delray	69410.24	24	12	32	21	9
		69410.36	36	12	32	33	9
		69410.48	48	12	32	45	9
		69410.60	60	12	32	57	9
		69410.72	72	12	32	69	9
27	Cuba	69025.36	36	14	12	33	11
		69025.48	48	14	12	45	11
		69025.60	60	14	12	57	11
		69025.72	72	14	12	69	11
31	Tolga	69367.24	24	16	24	21	13
		69367.36	36	16	24	33	13
		69367.48	48	16	24	45	13
		69367.60	60	16	24	57	13
		69367.72	72	16	24	69	13
33	Potsdam	69345.24	24	16	32	21	13
		69345.36	36	16	32	33	13
		69345.48	48	16	32	45	13
		69345.60	60	16	32	57	13
		69345.72	72	16	32	69	13
35	Perth	69050.24	24	16	42	21	13
		69050.36	36	16	42	33	13
		69050.48	48	16	42	45	13
		69050.60	60	16	42	57	13
		69050.72	72	16	42	69	13

Rectangles *Inches*

Page	Planter	Item	Exterior Dimensions			Interior Opening	
			L	W	H	L	W
39	Antwerp	70100.36	36	24	12	32.6	20.6
		70100.48	48	24	12	44.6	20.6
		70100.60	60	24	12	56.6	20.6
		70100.72	72	24	12	68.6	20.6
41	Torino	70125.36	36	24	18	32.6	20.6
		70125.48	48	24	18	44.6	20.6
		70125.60	60	24	18	56.6	20.6
		70125.72	72	24	18	68.6	20.6
43	Granada	70150.36	36	24	24	32.6	20.6
		70150.48	48	24	24	44.6	20.6
		70150.60	60	24	24	56.6	20.6
		70150.72	72	24	24	68.6	20.6
45	Brisbane	70300.36	36	24	32	32.6	20.6
		70300.48	48	24	32	44.6	20.6
		70300.60	60	24	32	56.6	20.6
		70300.72	72	24	32	68.6	20.6
47	Darwin	70325.36	36	24	42	32.6	20.6
		70325.48	48	24	42	44.6	20.6
		70325.60	60	24	42	56.6	20.6
		70325.72	72	24	42	68.6	20.6
51	Selenge	69497.56	56	24	12	54	22
		69497.70	70	30	15	66	26
		69497.84	84	36	18	79.7	31.7
55	Amsterdam	69615.26	16	10	26	14	8
		69615.30	20	12	30	18	10
57	Seoul	69370.32	32	12	18	28	9.9
		69370.36	36	16	24	32	14
		69370.48	48	20	36	40	17.9
59	Badalona	69220	39	17	17	36	14
61	Hudson	69381.100	100	18	28	96.9	14.9
64	Nile	69315.12	12	5	8	10.8	3.8
		69315.24	24	5	8	22.8	3.8
		69315.36	36	5	8	34.8	3.8
65	Tiergarten	69761.36	36	12	10	34	10
68	Tonto	69418	7	7	7	6	6

Rectangles *Inches*

Page	Planter	Item	Exterior Dimensions			Interior Opening	
			L	W	H	L	W
68	Tupelo	69316.20	20	7	7	19	6
68	Weir	69473.26	26	7	7	25	6
69	Vicksburg	69478.32	32	7	7	31	6
69	Wheeling	69453.44	44	7	7	43	6
73	Salon	69210.36	36	8	8	32	4
		69210.42	42	8	8	38	4
		69210.48	48	8	8	44	4
75	Camoux	69213.36	36	8	18	32	4
		69213.48	48	8	18	44	4
		69213.54	54	8	18	50	4
79	Lima	69305.11	12	12	12	10	10
		69305.15	16	16	16	13.9	13.9
		69305.19	20	20	20	17	17
		69305.24	24	24	24	20.9	20.9
		69305.30	30	30	30	26	26
81	Toulon	69505.11	12	12	22	10	10
		69505.15	16	16	30	13.9	13.9
		69505.18	20	20	42	17	17
		69505.23	23	23	48	20	20
		69505.28	28	28	60	24	24
		69505.36	18	18	36	15.7	15.7
83	Panama	69715.36	36	12	18	33	8.8
		69715.48	48	12	18	45	8.8
		69715.60	60	12	18	57	8.8

Rounds *Inches*

Page	Planter	Item	Exterior Dimensions				Interior Opening	
			D	L	W	H	L	W
95	Short Hayden	69117.12	12			7	10	10
		69117.16	16			8	14	14
		69117.20	20			10	18	18
97	Hayden	69015.10	9			15	6.8	6.8
		69015.12	13			20	10.8	10.8
		69015.15	17			23	13	13
		69015.18	20			29	16	16
99	Saigon	69020.14	17			30	11.7	11.7
		69020.16	21			36	14	14
		69020.19	24			42	16	16
103	Corry	69607.20	10			20	8	8
		69607.30	10			30	8	8
		69607.36	12			36	10	10
105	Rio Grande	69205.18	18			20	15.6	15.6
		69205.22	22			22	19	19
		69205.30	30			32	26.9	26.9
109	Lisbon	69121.14	14			25	11.6	11.6
		69121.18	18			32	15.6	15.6
		69121.24	24			36	20.9	20.9
111	Saint Tropez	69626.12	12			32	9.6	9.6
		69626.16	16			38	12.8	12.8
		69626.20	20			43	16.8	16.8
		69626.24	24			50	20.9	20.9
		69626.28	28			60	24	24
115	Tegel	69185.18	18			26	15.6	15.6
		69185.22	22			30	19.6	19.6
117	Pego Oval	69225.14		14	10	22	12	8
		69225.18		18.5	15	26	16	12
		69225.22		25.5	22	30	23	18.7
121	Valencia	69125.15	15			18	12.6	12.6
		69125.20	20			23	16.5	16.5
		69125.27	27			31	23	23
123	Brannan	69600.18	18			29	14.9	14.9
		69600.24	24			35	20	20
		69600.30	30			41	25.5	25.5

Rounds *Inches*

Page	Planter	Item	Exterior Dimensions				Interior Opening			
			D	L	W	H	L	W	L	W
125	Casablanca	69790.20	20			10	17	17		
		69790.24	24			12	20.9	20.9		
		69790.30	30			15	26.9	26.9		
		69790.36	36			18	32.9	32.9		
127	Wannsee	69230.15	15			13	13.5	13.5		
		69230.22	22			19	19.8	19.8		
		69230.27	27			24	24	24		
		69230.33	33			29	29	29		
		69230.39	39			34	35	35		
		69230.44	44			39	40	40		
131	Alzira	69285.23	23			22	18.7	18.7		
		69285.30	30			28	25.5	25.5		
		69285.36	36			34	31	31		
133	Tarragona	69415.18	18			12	16	16		
		69415.24	24			16	21.5	21.5		
		69415.30	30			20	25	25		
137	Santa Barbara	69561.23	23			21	19	19		
139	San Jose	69587.16	16			30	12.9	12.9		
		69587.22	22			40	18	18		
141	Alicante	69468.15	15			21	12.6	12.6		
		69468.22	22			27	18.9	18.9		
		69468.26	26			32	22.9	22.9		
145	Globe	69295.24	24			19	13	13		
		69295.30	30			24	15	15		
		69295.36	36			31	17	17		
147	Spiral	69245	26			26	15.8	15.8		
151	River Rock	69815 (L)		22	21	12	16	9.5	11	5.5
		69816 (M)		16	10	6	8	4.5	9	5
		69817 (S)		13	7	4	6	4.5		
155	Bara Jar	69155.20	20			31	11	11		
		69155.24	24			37	14	14		
157	Shanghai	69460.16	16			14	13.6	13.6		
		69460.22	22			19	18	18		

Squares *Inches*

Page	Planter	Item	Exterior Dimensions			Interior Opening	
			L	W	H	L	W
163	Kathryn	69904.18	18	18	13	15	15
		69904.24	24	24	17	20	20
		69904.30	30	30	22	25.5	25.5
165	Lima	69305.11	12	12	12	10	10
		69305.15	16	16	16	13.9	13.9
		69305.19	20	20	20	17	17
		69305.24	24	24	24	20.9	20.9
		69305.30	30	30	30	26	26
169	Toulan	69505.11	12	12	22	10	10
		69505.15	16	16	30	13.9	13.9
		69505.18	20	20	42	17	17
		69505.23	23	23	48	20	20
		69505.28	28	28	60	24	24
		69505.36	18	18	36	15.7	15.7
172	Tonto	69418	7	7	7	6	6
172	Cuba	69025.C	14	14	12	11	11
172	Antwerp	70100.C	24	24	12	20.6	20.6
173	Torino	70125.C	24	24	18	20.6	20.6
173	Miami	69400.C	12	12	18	9	9
176	Milano	69419.C	10	10	24	7	7
176	Amesbury	69729.C	10	10	32	7	7
176	Hong Kong	69730.10	10	10	42	7	7
177	Hollywood	69405.C	12	12	24	9	9
177	Delray	69410.C	12	12	32	9	9
178	Tolga	69367.C	16	16	24	13	13
178	Potsdam	69345.C	16	16	32	13	13
178	Perth	69050.C	16	16	42	12.6	12.6
179	Montroy	69141.24	24	24	24	21	21
179	Brisbane	70300.C	24	24	32	20.6	20.6
179	Darwin	70325.C	24	24	42	20.6	20.6

Squares *Inches*

Page	Planter	Item	Exterior Dimensions			Interior Opening	
			L	W	H	L	W
183	Montroy	69141.12	12	12	12	9	9
		69141.16	16	16	16	13	13
		69141.20	20	20	20	17	17
		69141.22	22	22	22	19	19
		69141.24	24	24	24	21	21
		69141.28	28	28	28	25	25
		69141.32	32	32	32	29	29
		69141.36	36	36	36	33	33
		69141.40	40	40	40	37	37
		69141.48*	48	48	48	45	45
69141.60*	60	60	60	57	57		
185	Tonto	69418	7	7	7	6	6
189	Lima	69305.11	12	12	12	10	10
		69305.15	16	16	16	13.9	13.9
		69305.19	20	20	20	17	17
		69305.24	24	24	24	20.9	20.9
		69305.30	30	30	30	26	26
191	Toulan	69505.11	12	12	22	10	10
		69505.15	16	16	30	13.9	13.9
		69505.18	20	20	42	17	17
		69505.23	23	23	48	20	20
		69505.28	28	28	60	24	24
		69505.36	18	18	36	15.7	15.7
193	Panama	69715.36	36	12	18	33	9
		69715.48	48	12	18	45	9
		69715.60	60	12	18	57	9

*Special Order-extended lead time

Contact Us

Greenville Planters

1295 Kamato Road
Mississauga, ON L4W 2M2
Canada

Phone +1 905.361.1368

www.greenvilledesigns.com
info@greenvilledesigns.com

Social Media



GreenvillePlanters



United States

Jay Scotts Company

410 SW 4th Terrace
Dania Beach, FL 33004
United States of America

Phone +1 954.922.3939

www.jayscottscdm.com
info@jayscottscdm.com

International

Deco Vua Co., LTD

Ho Chi Minh City, Vietnam

Phone + 84.9311.00.211

www.decovua.com
info@decovua.com

Creative Design Manufacturing

Plot 6-12, B4 Lot, D5 Street,
Dat Cuoc Industrial Park,
Dat Cuoc Commune,
Bac Tan Uyen District,
Binh Duong Province, Vietnam

Phone +1 954.889.7230

www.vietnamcdm.com
info@vietnamcdm.com

greenville PLANTERS
featuring
Jay Scotts

Luxury Fiberglass Planters

1295 Kamato Road
Mississauga, ON L4W 2M2

+1 905.361.1368
www.greenvilledesigns.com